

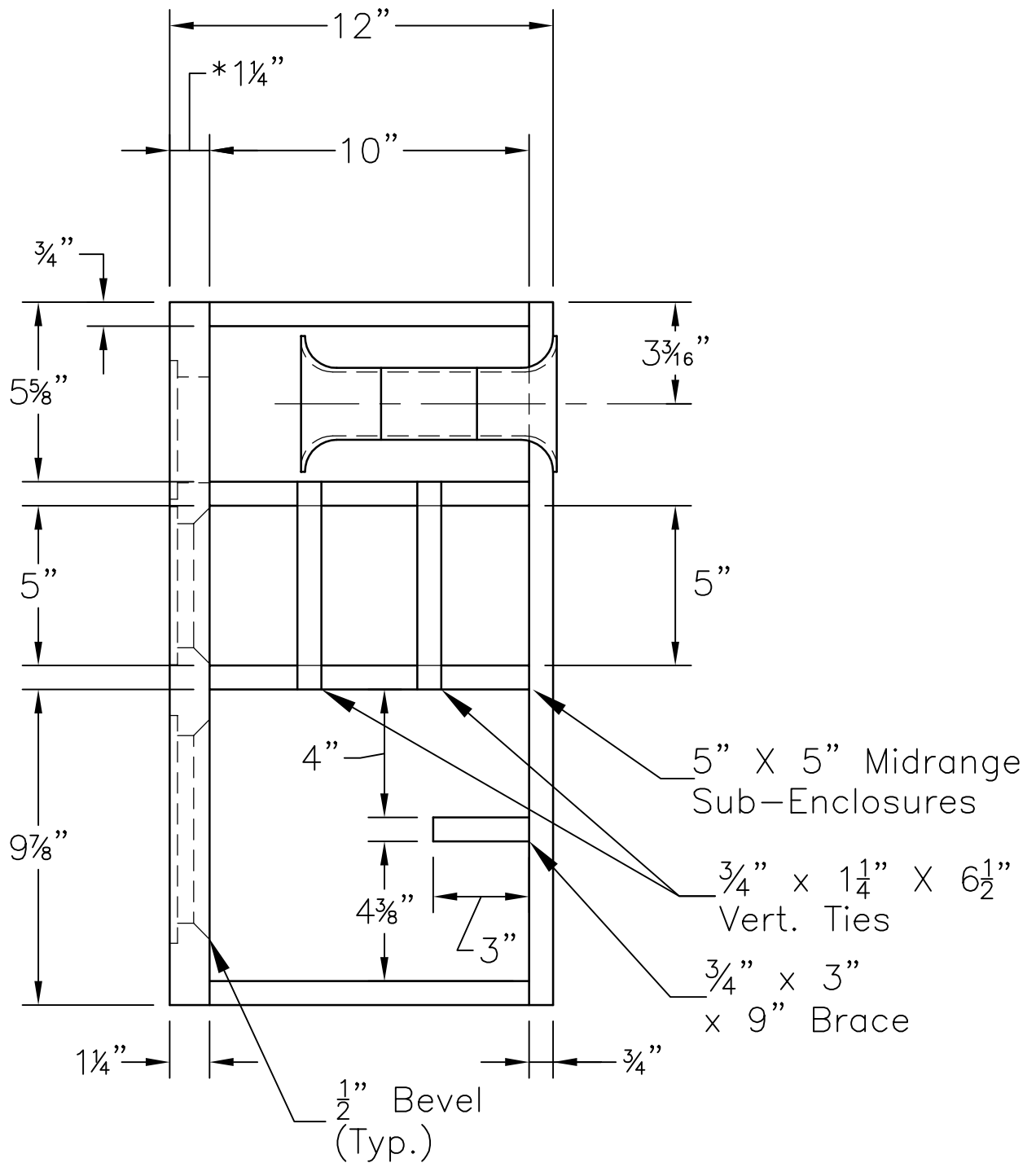
Front View

Drawn By:
Brian Walter
DATE: June 29, 2008

Design By: Jim Holtz
Crossover By: Curt Campbell

TITLE: Statements—Monitor
Front View

SHEET:
1
OF:
5



Side View
(Side Removed)

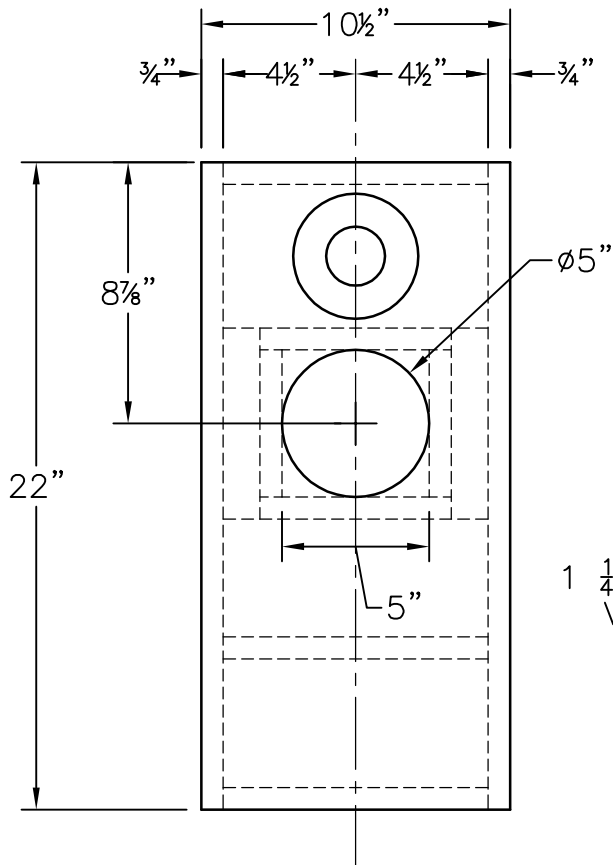
* Front baffle is constructed from one layer of 3/4" MDF and one layer of 1/2" MDF.

Drawn By:
Brian Walter
DATE:
June 29, 2008

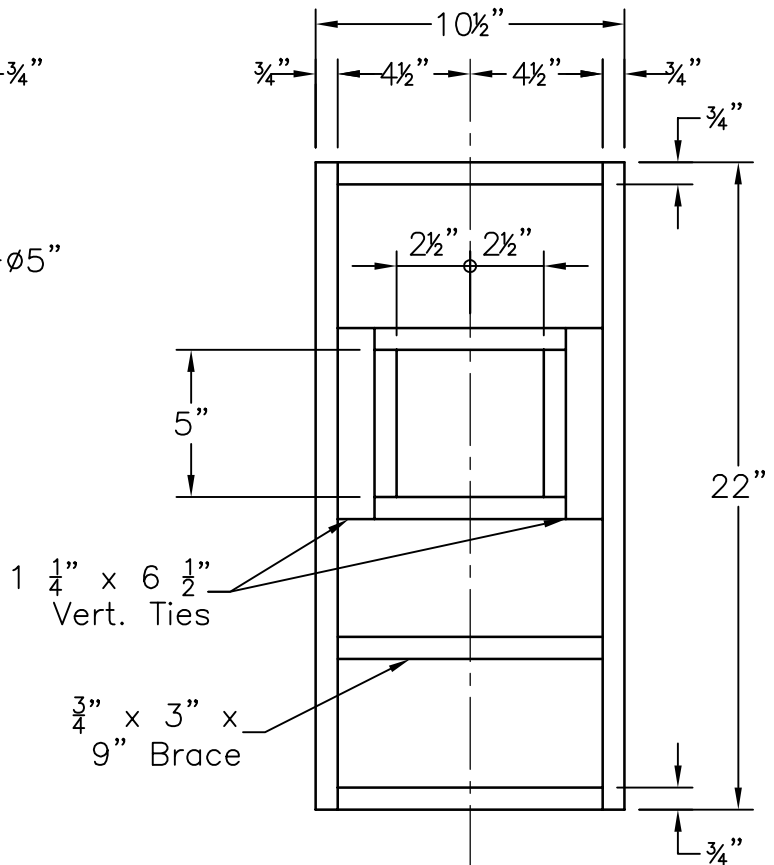
Design By: Jim Holtz
Crossover By: Curt Campbell

TITLE: Statements-Monitor
Side View

SHEET:
2
OF:
5



Rear View



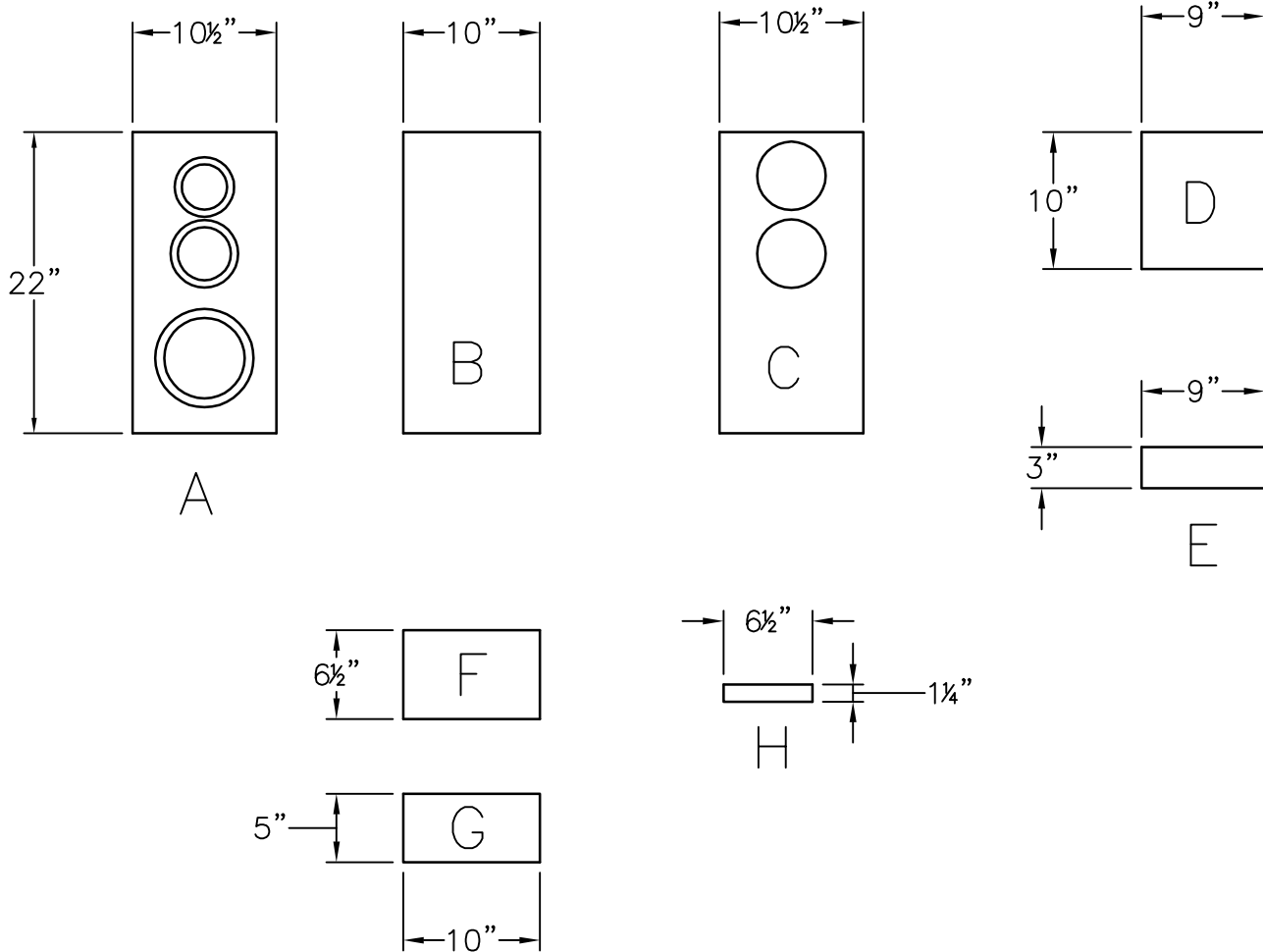
Rear View
(Back Removed)

Drawn By:
 Brian Walter
 DATE:
 June 29, 2008

Design By: Jim Holtz
 Crossover By: Curt Campbell

TITLE: Statements-Monitor
 Rear Views

SHEET:
 3
 OF:
 5



* Cut holes in "C" as req'd for flared end used and desired pass-thru.

Cut List		Finished Sizes			
Part	Description	Thickness	Width	Length	Quantity
A	Front Baffle (3/4" + 1/2")	1 1/4"	10 1/2"	22"	2
B	Side	3/4"	10"	22"	4
C	Back	3/4"	10 1/2"	22"	2
D	Top & Bottom	3/4"	9"	10"	4
E	Back Brace	3/4"	3"	9"	2
F	Pass-Thru Top & Bttm	3/4"	6 1/2"	10"	4
G	Pass-Thru Sides	3/4"	5"	10"	4
H	Vert. Side Brace	3/4"	1 1/4"	6 1/2"	8

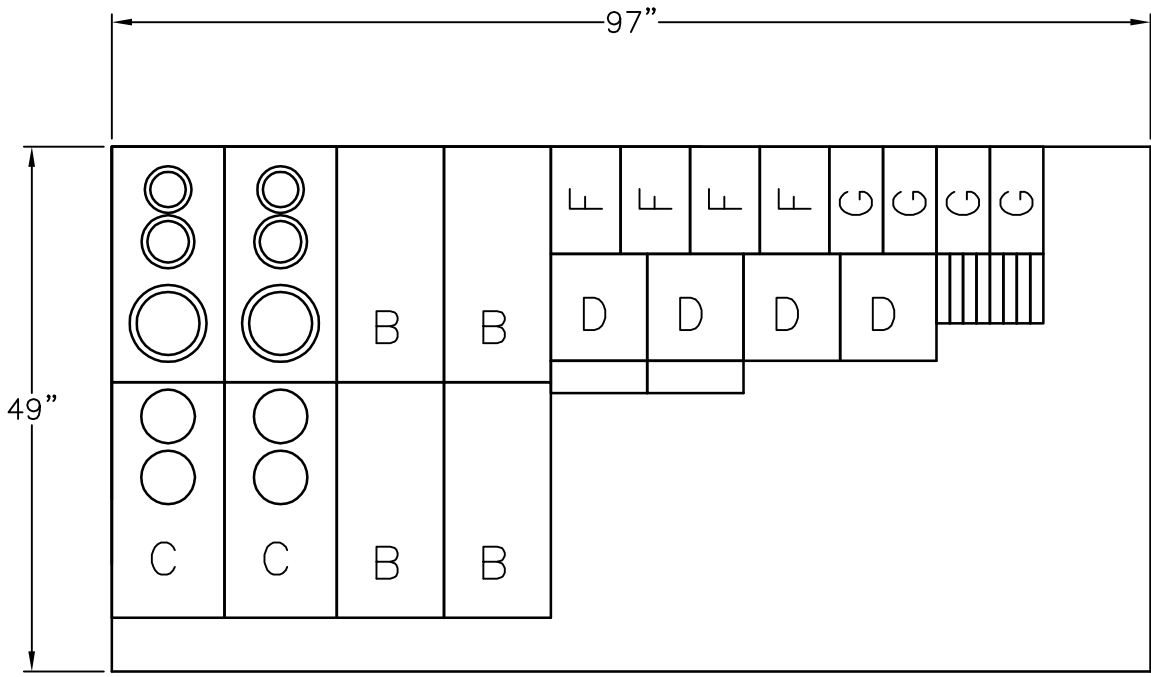
Note: Cut baffle and back about 1/2" oversize; trim with flush trim bit after installed.

Drawn By:
Brian Walter
DATE: June 29, 2008

Design By: Jim Holtz
Crossover By: Curt Campbell

TITLE: Statements-Monitor
Cut List

SHEET:
4
OF:
5



1/4 sheet of 49" x 97" x 1/2" MDF is required to make 2 additional baffle pieces (A) to produce the 1-1/4" thick baffle.

Drawn By:
 Brian Walter
 DATE: June 29, 2008

Design By: Jim Holtz
 Crossover By: Curt Campbell

TITLE: Statements—Monitor
 Cut Diagram

SHEET:
 5
 OF:
 5