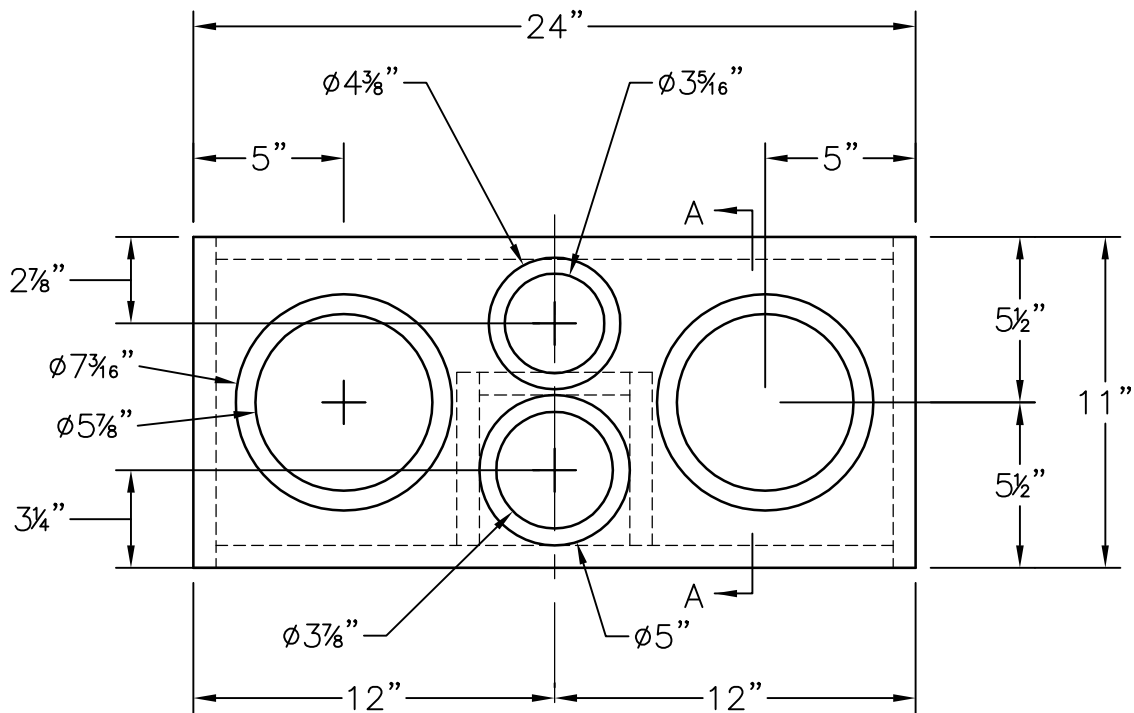


Top View



Front View

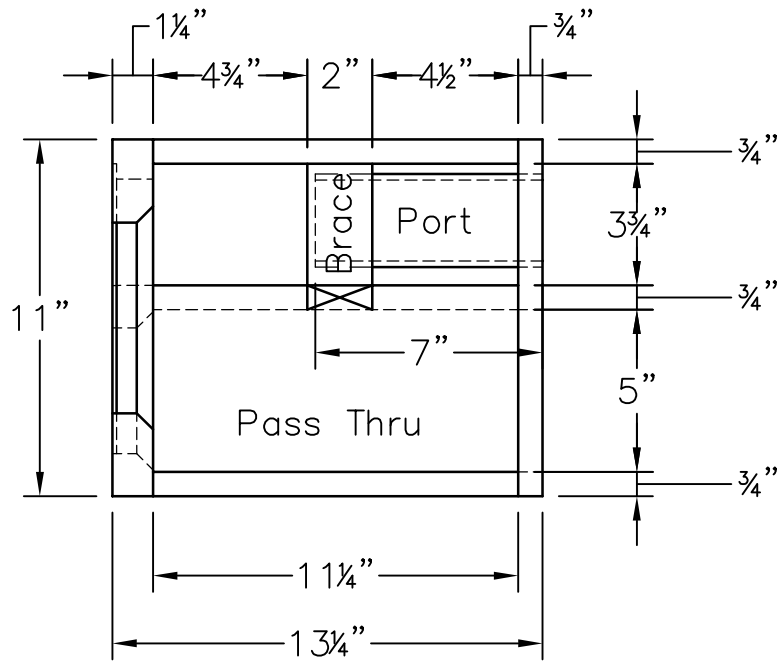
\* Front baffle is constructed from one layer of 3/4" MDF and one layer of 1/2" MDF.

Drawn By:  
Brian Walter  
DATE:  
August 18, 2007

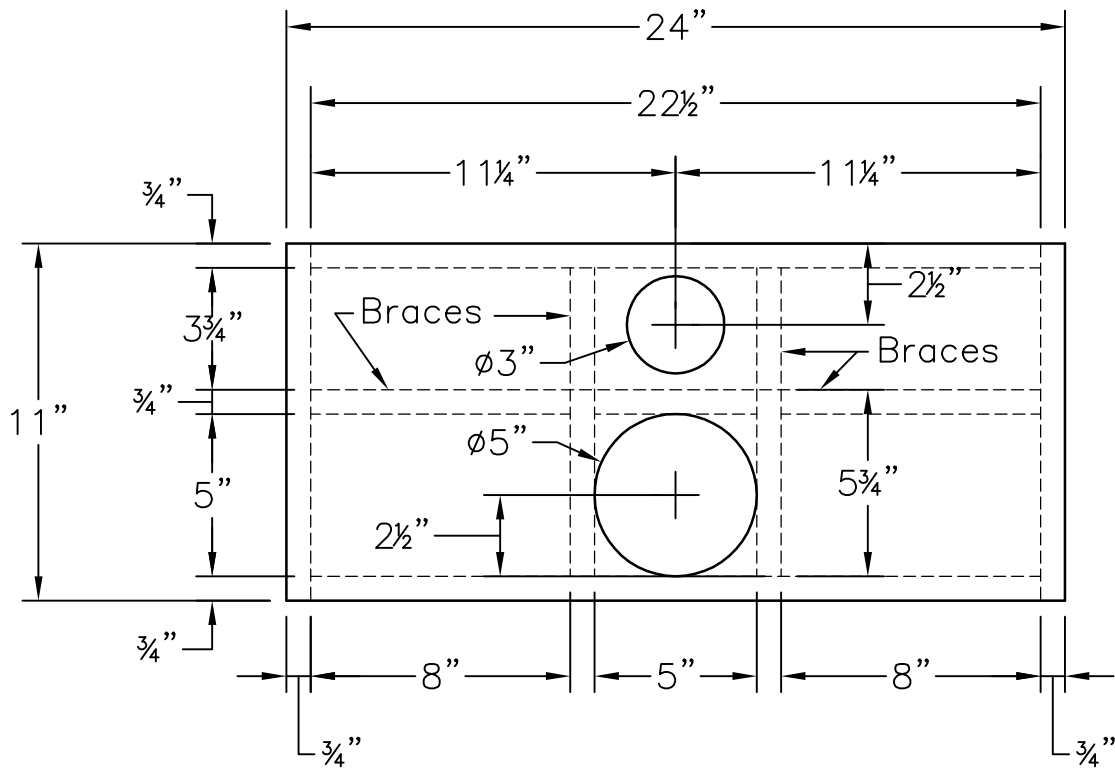
Design By: Jim Holtz  
Crossover By: Curt Campbell

TITLE: Statements Center  
Front & Top Views

SHEET:  
1  
OF:  
4



Section A-A



Back View

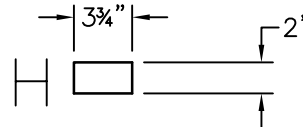
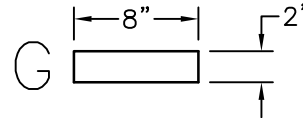
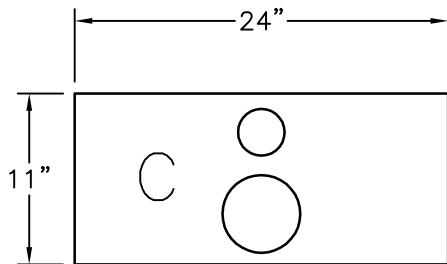
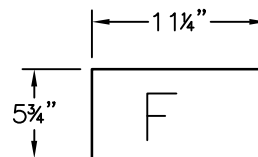
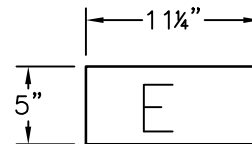
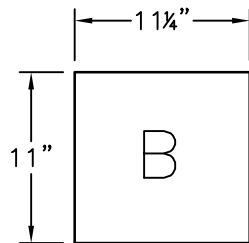
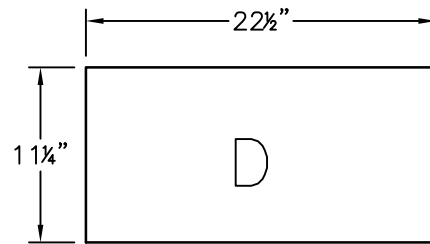
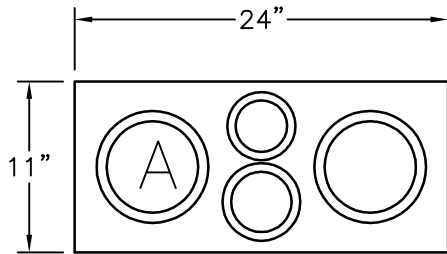
Drawn By:  
 Brian Walter  
 DATE: August 18, 2007

Design By: Jim Holtz  
 Crossover By: Curt Campbell

TITLE: Statements Center  
 Section A-A & Back

SHEET:  
 2  
 OF:  
 4

\* Cut hole in "C" as req'd for port tube.



Cut List		Finished Sizes			
Part	Description	Thickness	Width	Length	Quantity
A	Front Baffle (3/4" + 1/2")	1 1/4"	11"	24"	1
B	Side	3/4"	11"	11 1/4"	2
C	Back	3/4"	11"	24"	1
D	Top & Bottom	3/4"	11 1/4"	22 1/2"	2
E	Pass-Thru Top	3/4"	5"	11 1/4"	1
F	Pass-Thru Sides	3/4"	5 3/4"	11 1/4"	2
G	Hor. Side Brace	3/4"	2"	8"	2
H	Vert. Top Brace	3/4"	2"	3 3/4"	2
I					

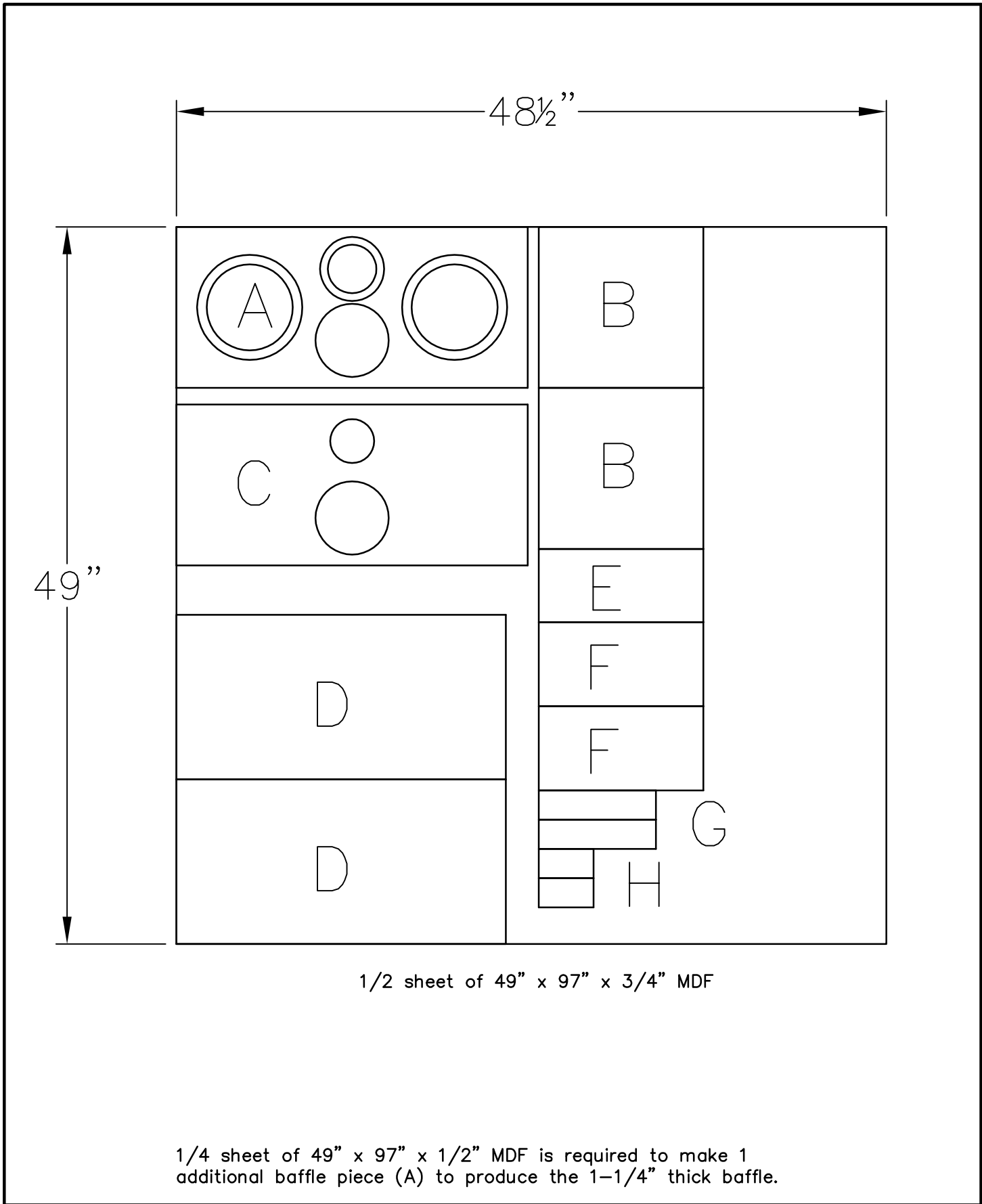
Note: Cut baffle and back about 1/2" oversize; trim with flush trim bit after installed.

Drawn By:  
Brian Walter  
DATE: August 27, 2007

Design By: Jim Holtz  
Crossover By: Curt Campbell

TITLE: Statements Center  
Cut List

SHEET: 3  
OF: 4



Drawn By:  
Brian Walter  
DATE: August 27, 2007

Design By: Jim Holtz  
Crossover By: Curt Campbell

TITLE: Statements Center  
Cut Diagram

SHEET:  
4  
OF:  
4