

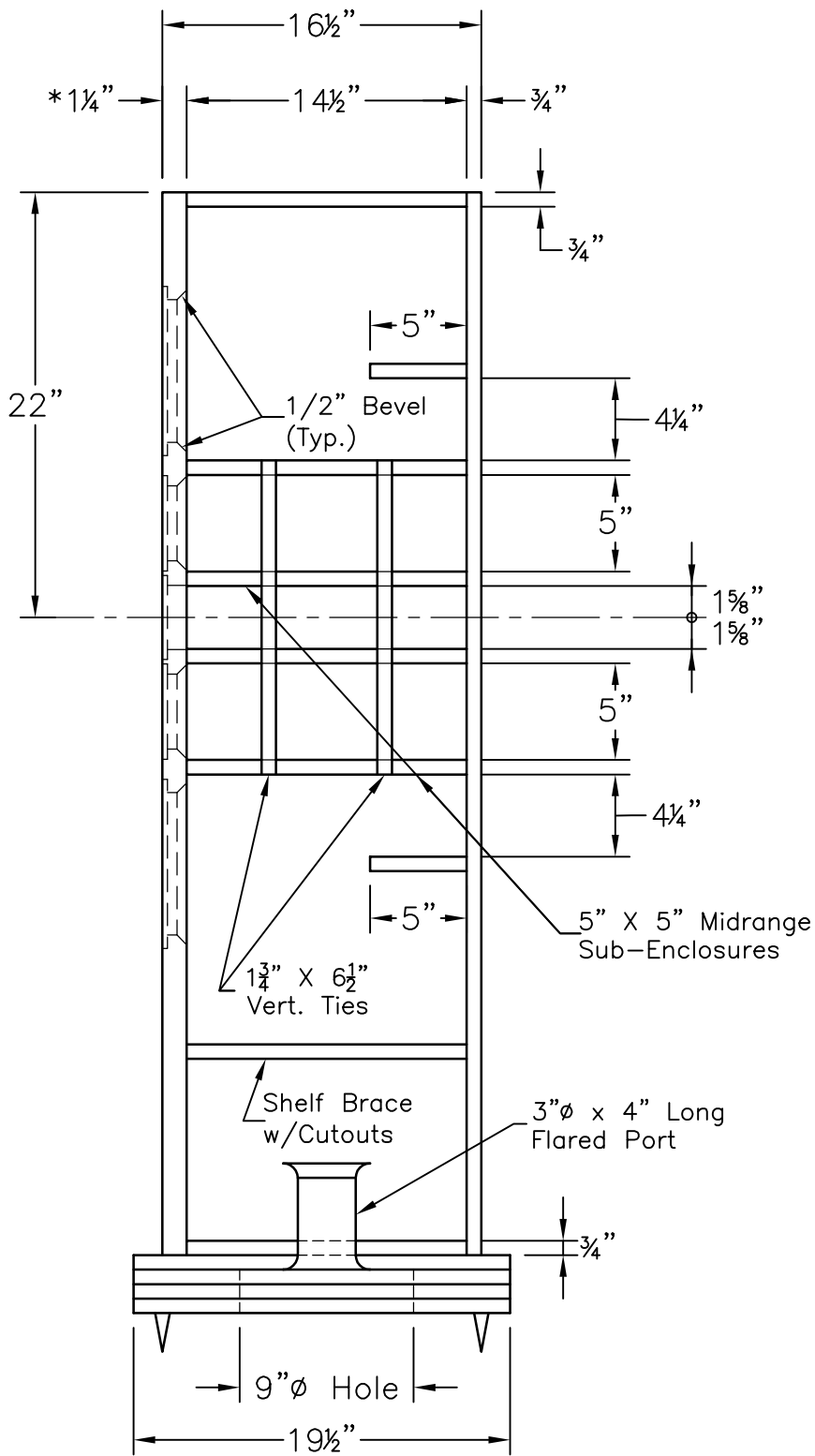
Front View

Drawn By:
 Brian Walter
 DATE: May 16, 2007

Design By: Jim Holtz
 Crossover By: Curt Campbell

TITLE: STATEMENTS
 Front View

SHEET:
 1
 OF:
 5



Side View
 (Side Removed)

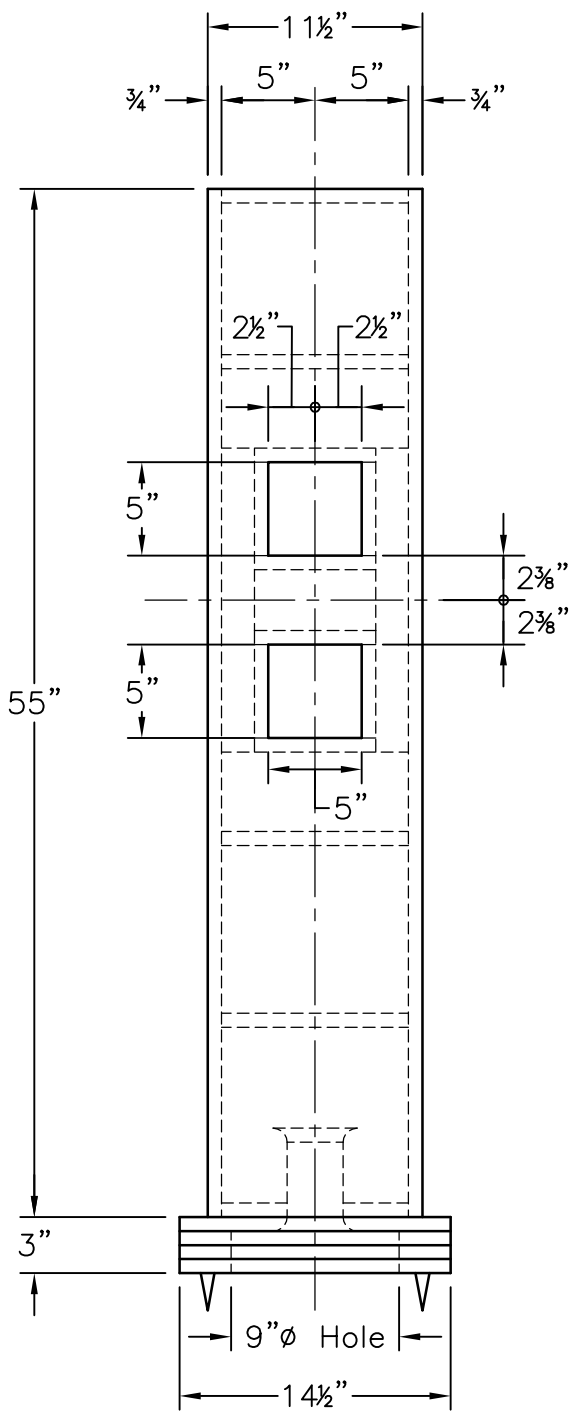
* Front baffle is constructed using one layer of 3/4" MDF and one layer of 1/2" MDF.

Drawn By:
 Brian Walter
 DATE: May 16, 2007

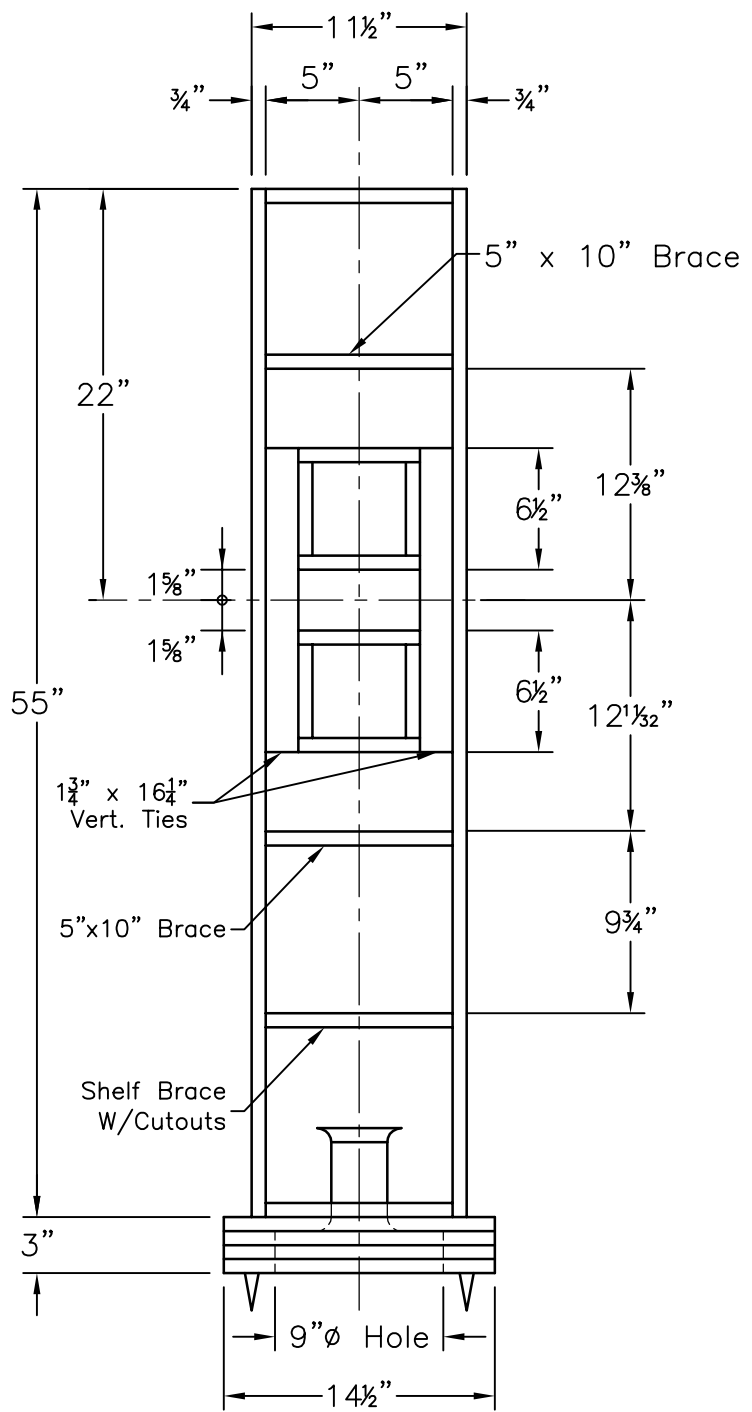
Design By: Jim Holtz
 Crossover By: Curt Campbell

TITLE: STATEMENTS
 Side View

SHEET:
 2
 OF:
 5



Rear View



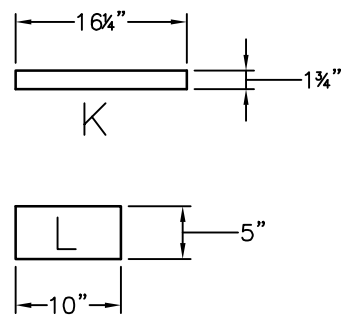
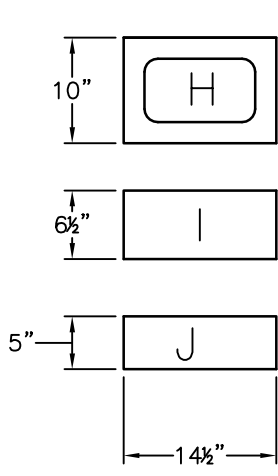
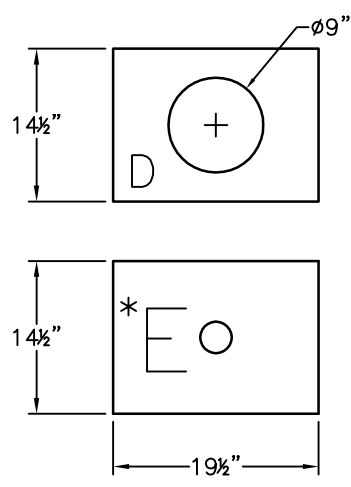
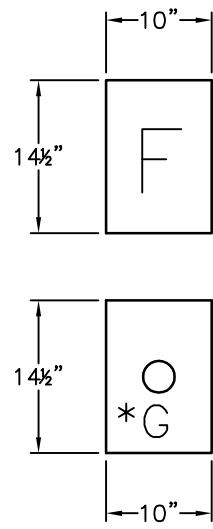
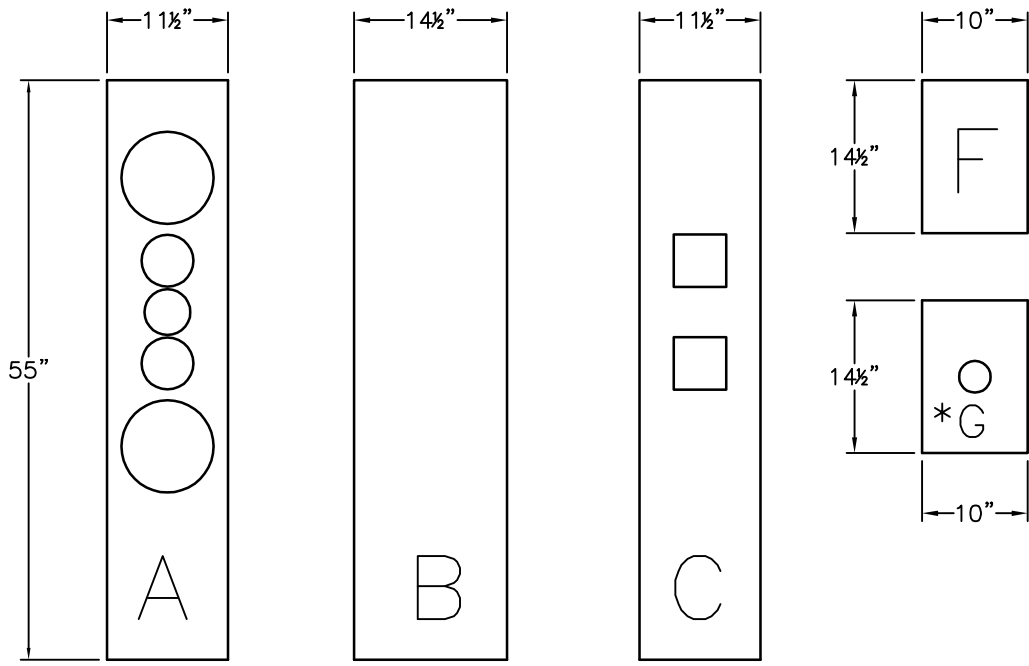
Rear View
(Back Removed)

Drawn By:
Brian Walter
DATE: May 16, 2007

Design By: Jim Holtz
Crossover By: Curt Campbell

TITLE: STATEMENTS
Rear Views

SHEET:
3
OF:
5



* Cut holes in "E" & "G" as req'd for port tube and flared end used.

Cut List		Finished Sizes			
Part	Description	Thickness	Width	Length	Quantity
A	Front Baffle (3/4" + 1/2")	1 1/4"	11 1/2"	55"	2
B	Side	3/4"	14 1/2"	55"	4
C	Back	3/4"	11 1/2"	55"	2
D	Lower Base	3/4"	14 1/2"	19 1/2"	6
E	Upper Base	3/4"	14 1/2"	19 1/2"	2
F	Top	3/4"	10"	14 1/2"	2
G	Bottom	3/4"	10"	14 1/2"	2
H	Shelf Brace	3/4"	10"	14 1/2"	2
I	Pass-Thru Top & Bttm	3/4"	6 1/2"	14 1/2"	8
J	Pass-Thru Sides	3/4"	5"	14 1/2"	8
K	Vert. Side Brace	3/4"	1 3/4"	16 1/4"	8
L	Hor. Back Brace	3/4"	5"	10"	4

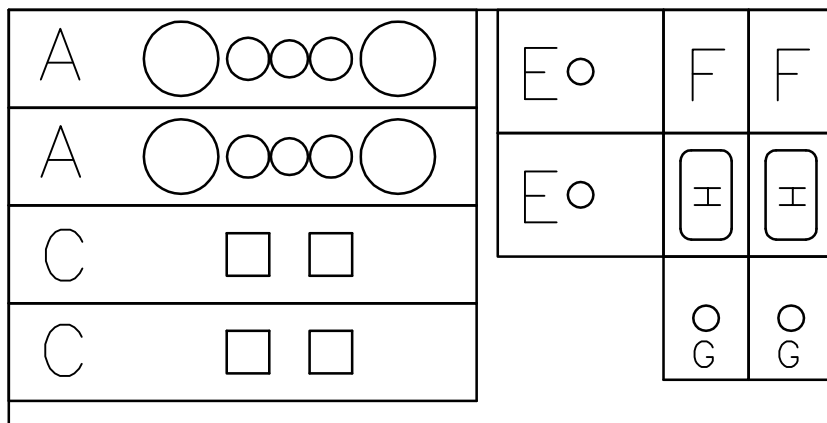
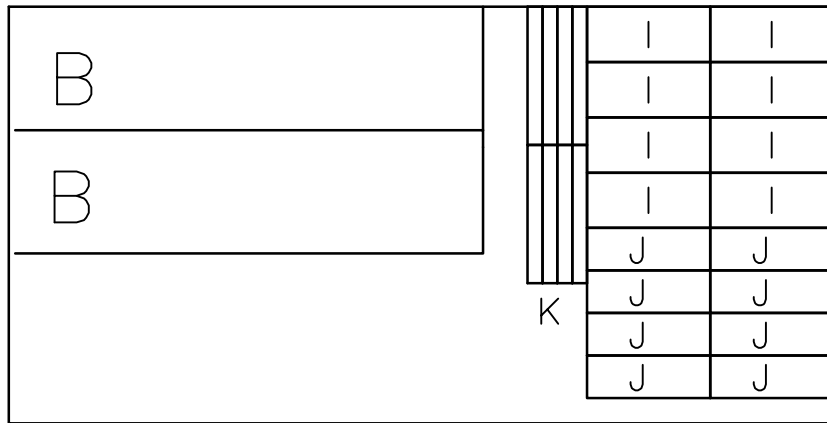
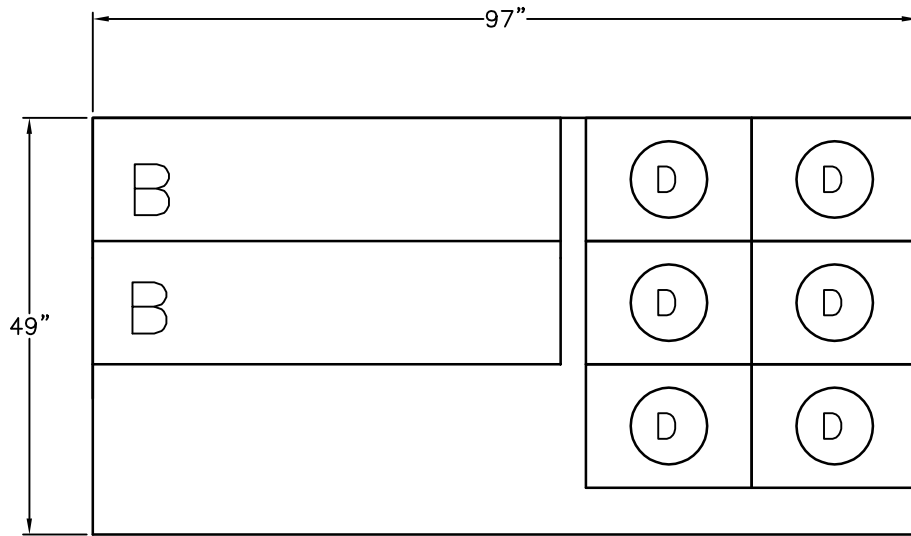
Note: Cut baffle and back about 1/2" oversize; trim with flush trim bit after installed.

Drawn By:
Brian Walter
DATE: May 16, 2007

Design By: Jim Holtz
Crossover By: Curt Campbell

TITLE: STATEMENTS
Cut List

SHEET:
4
OF:
5



1 - 49" x 97" sheet of 1/2" MDF is required to make 2 additional baffle pieces (A) to produce the 1-1/4" thick baffle.

Drawn By:
Brian Walter
DATE: May 16, 2007

Design By: Jim Holtz
Crossover By: Curt Campbell

TITLE: STATEMENTS
Cut Diagram

SHEET:
5
OF:
5